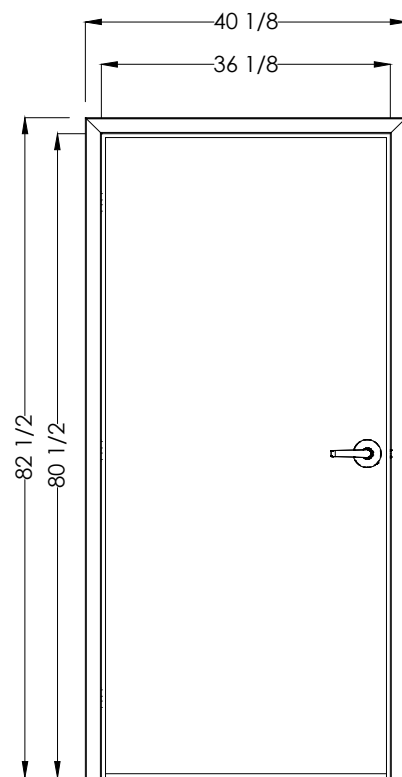
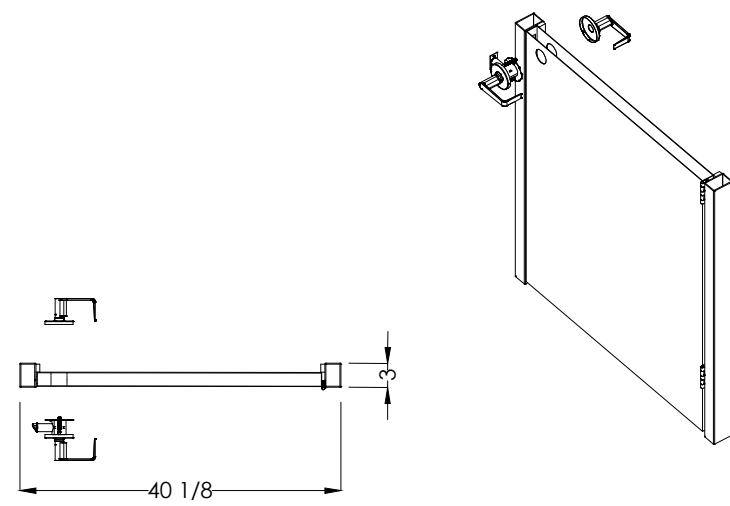
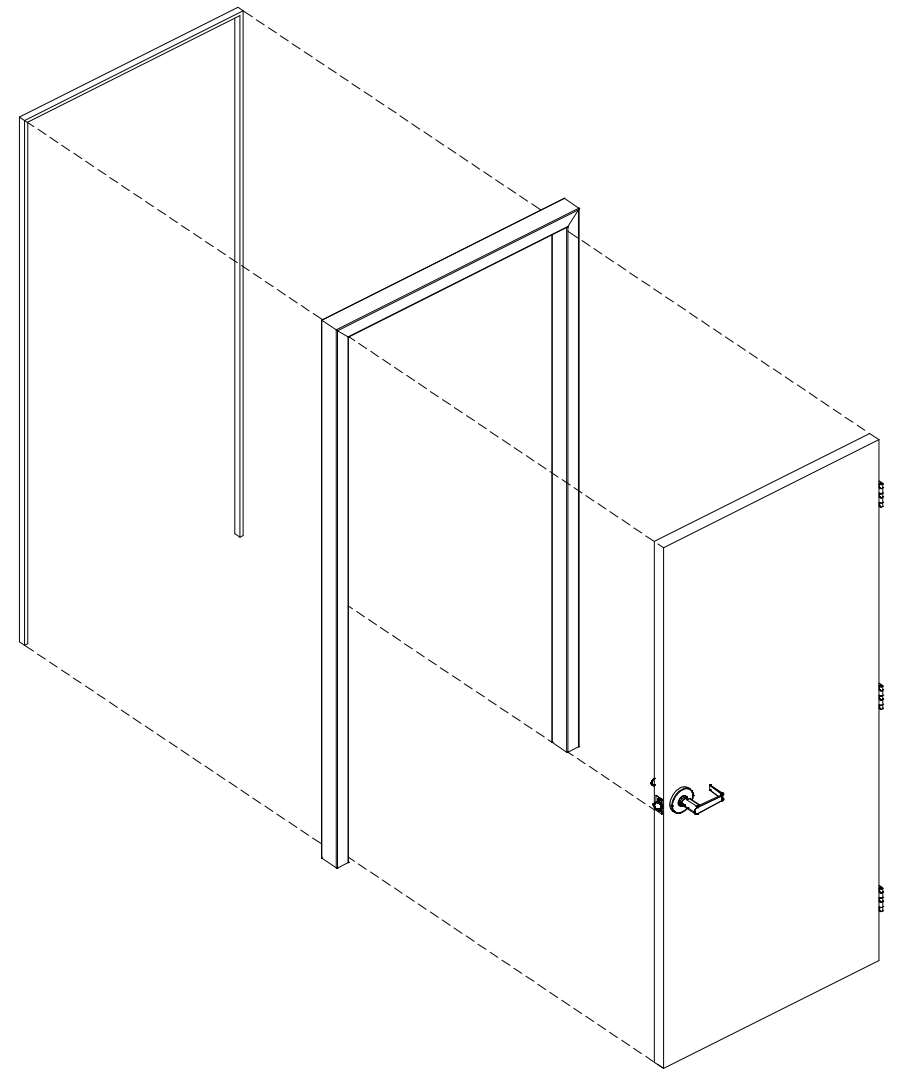
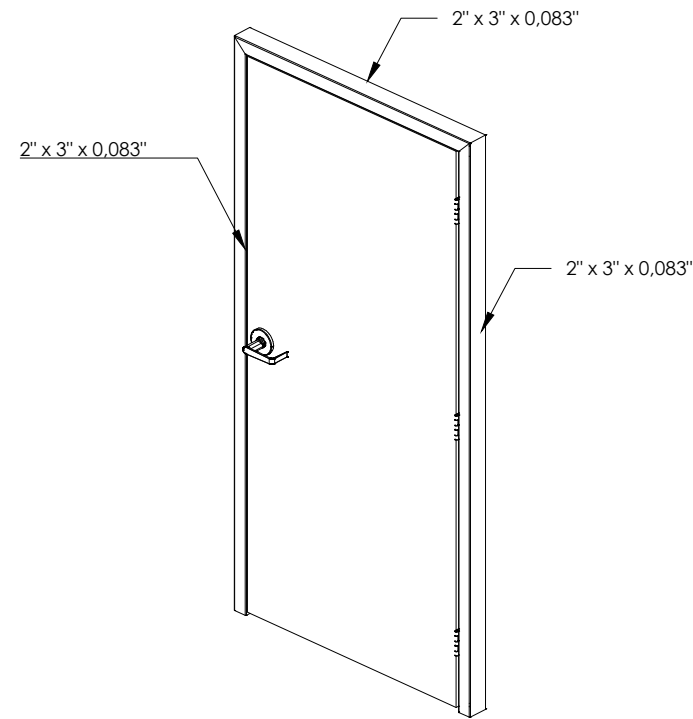
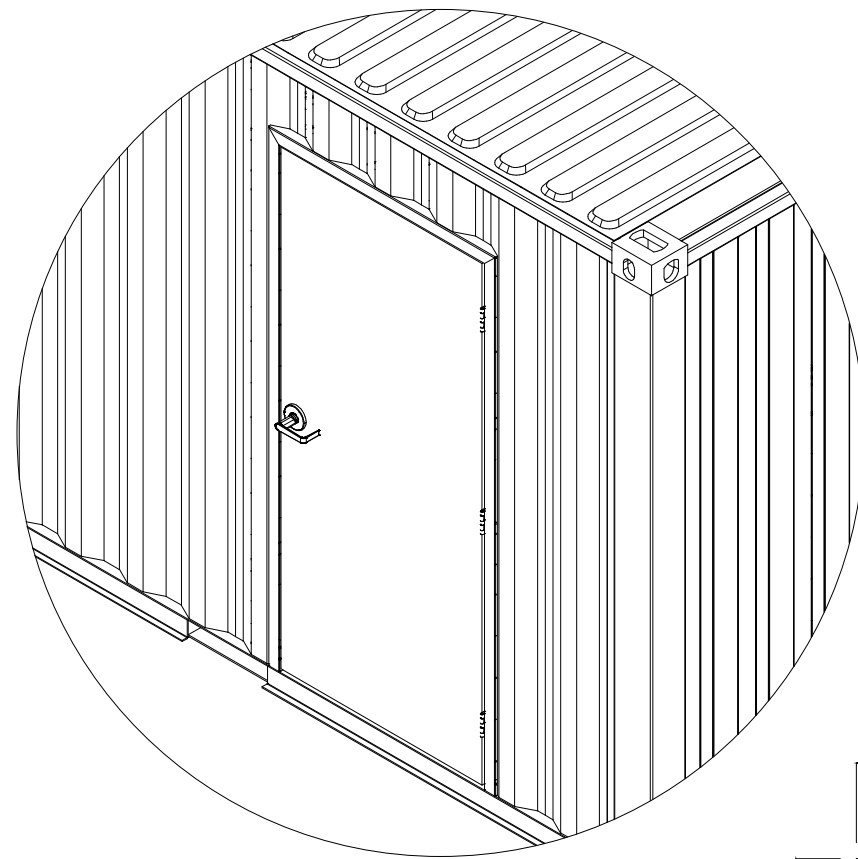
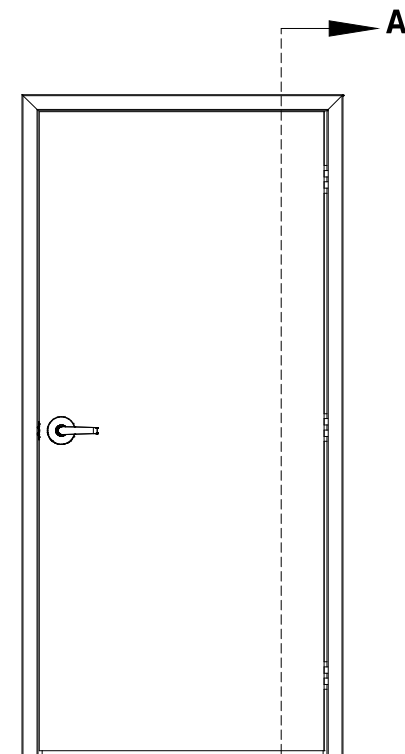


# Man Door



**Back View**  
3/8" = 1'-0"



**Front View**  
3/8" = 1'-0"



**Right Side View**  
3/8" = 1'-0"